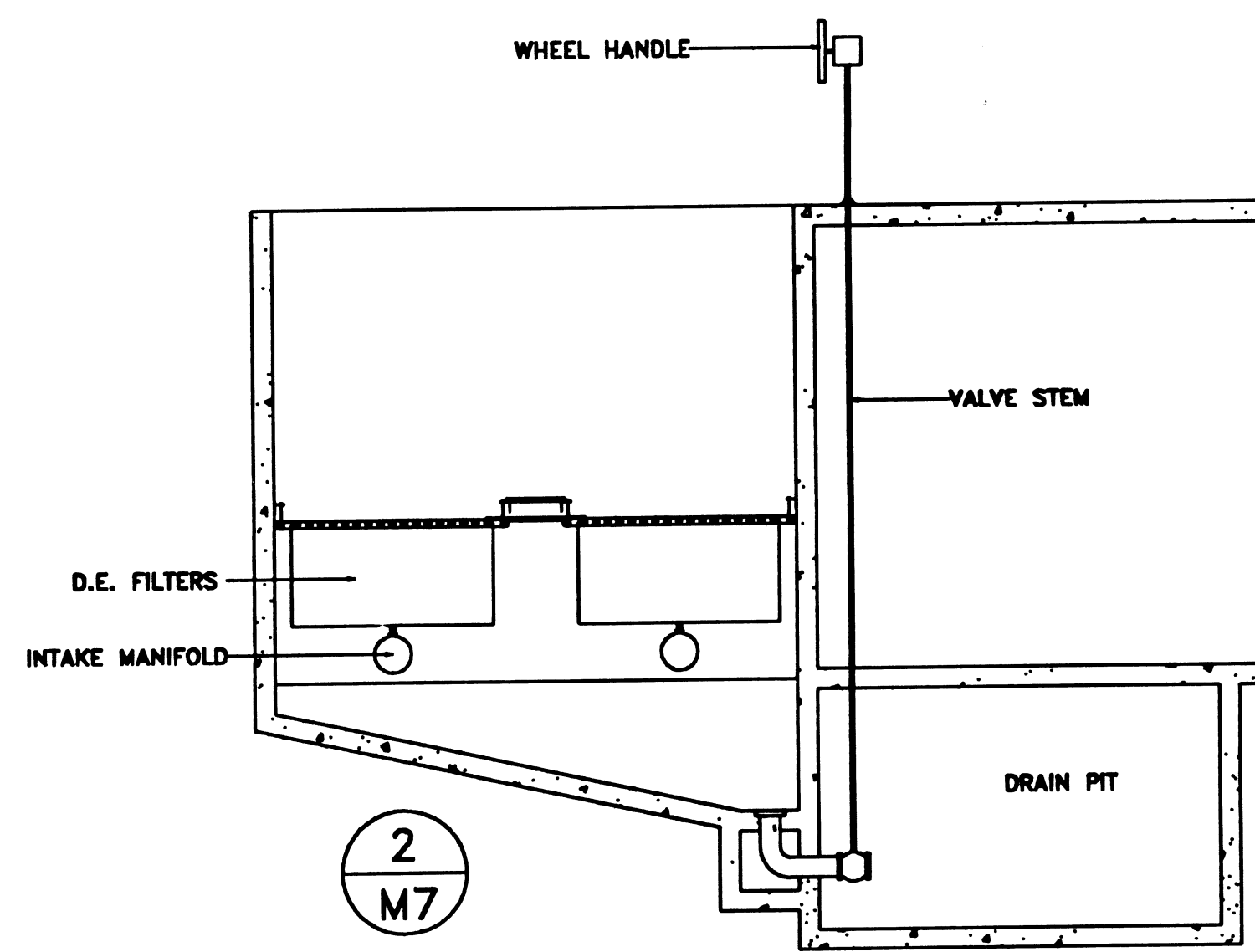
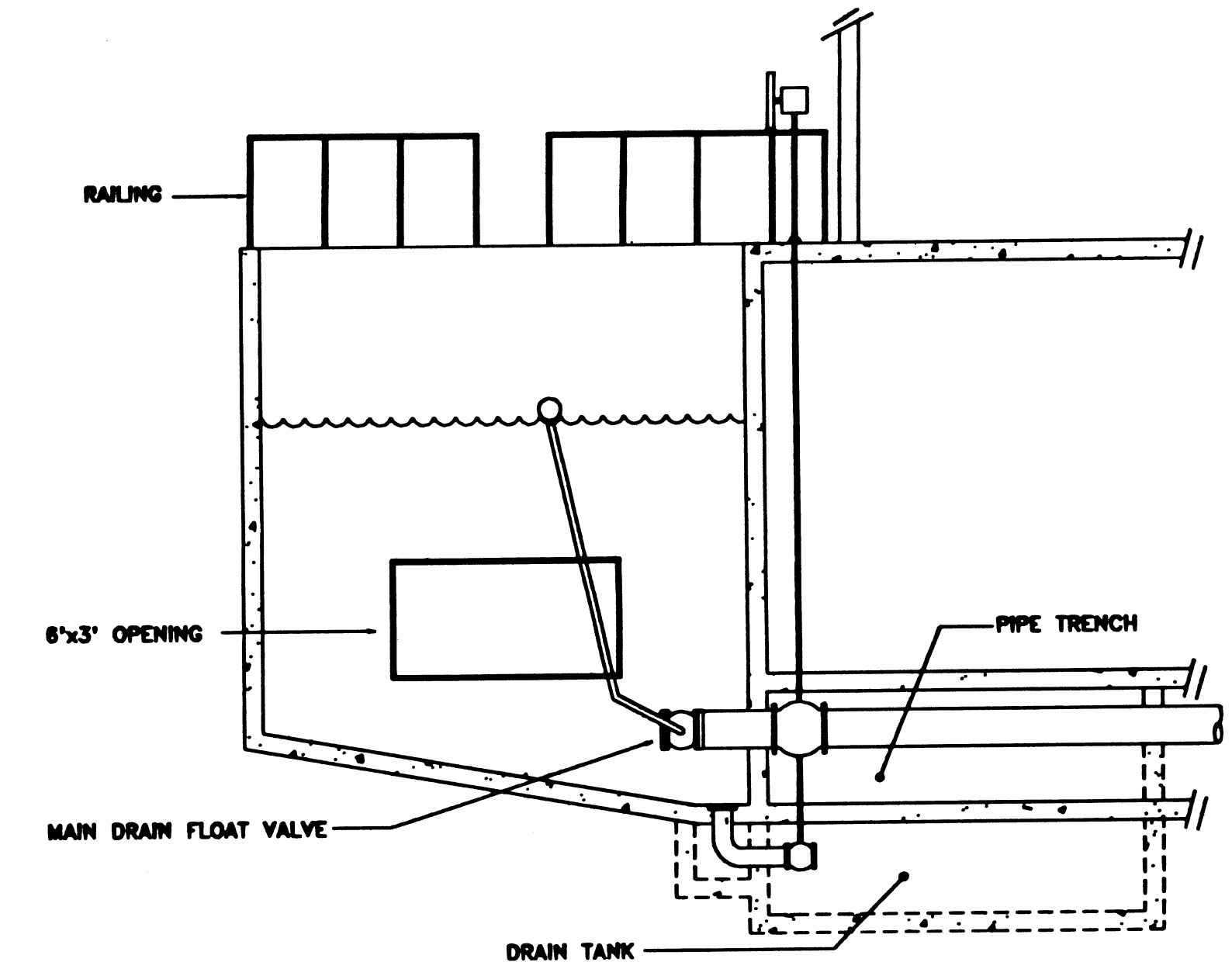


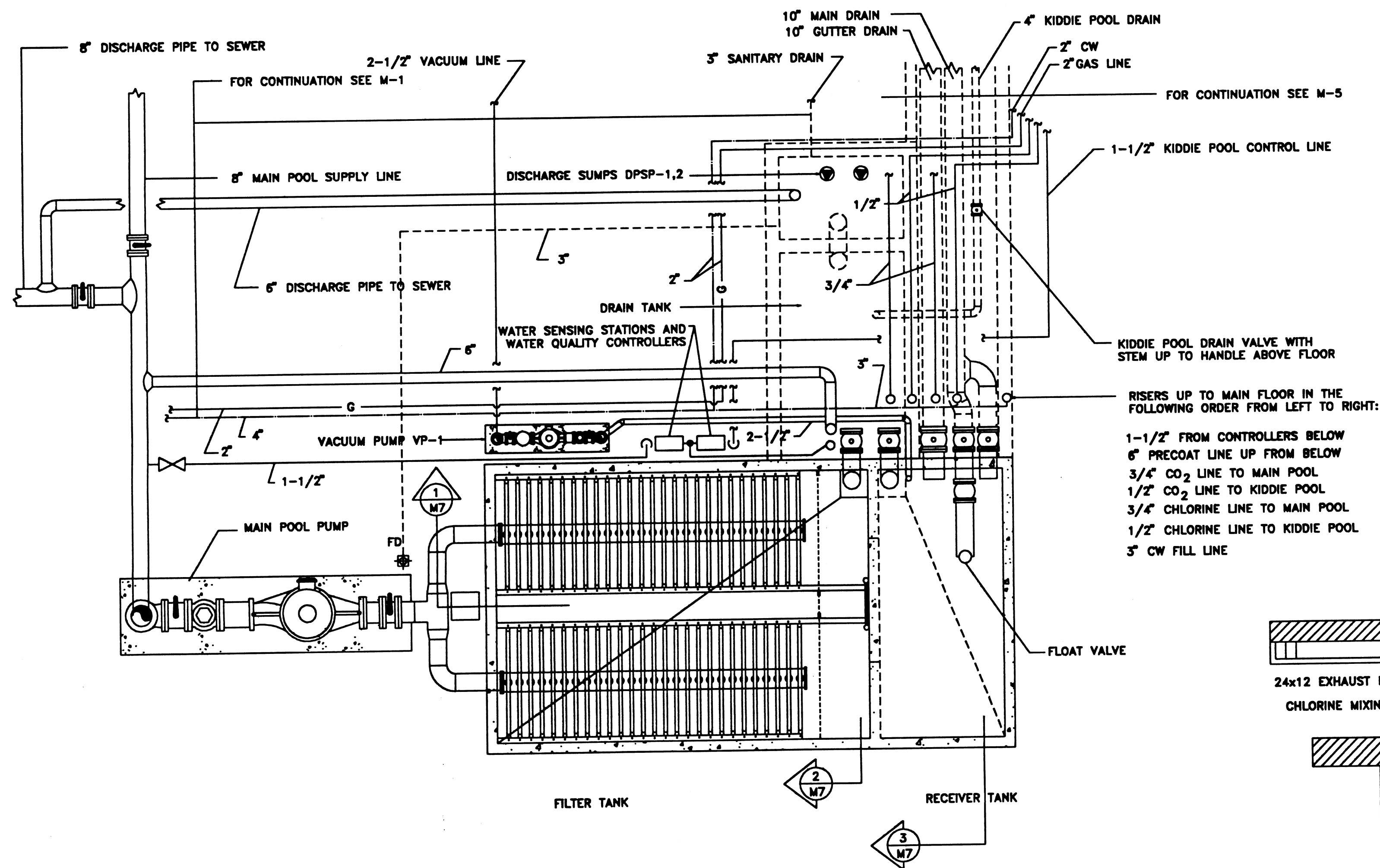
1
M7



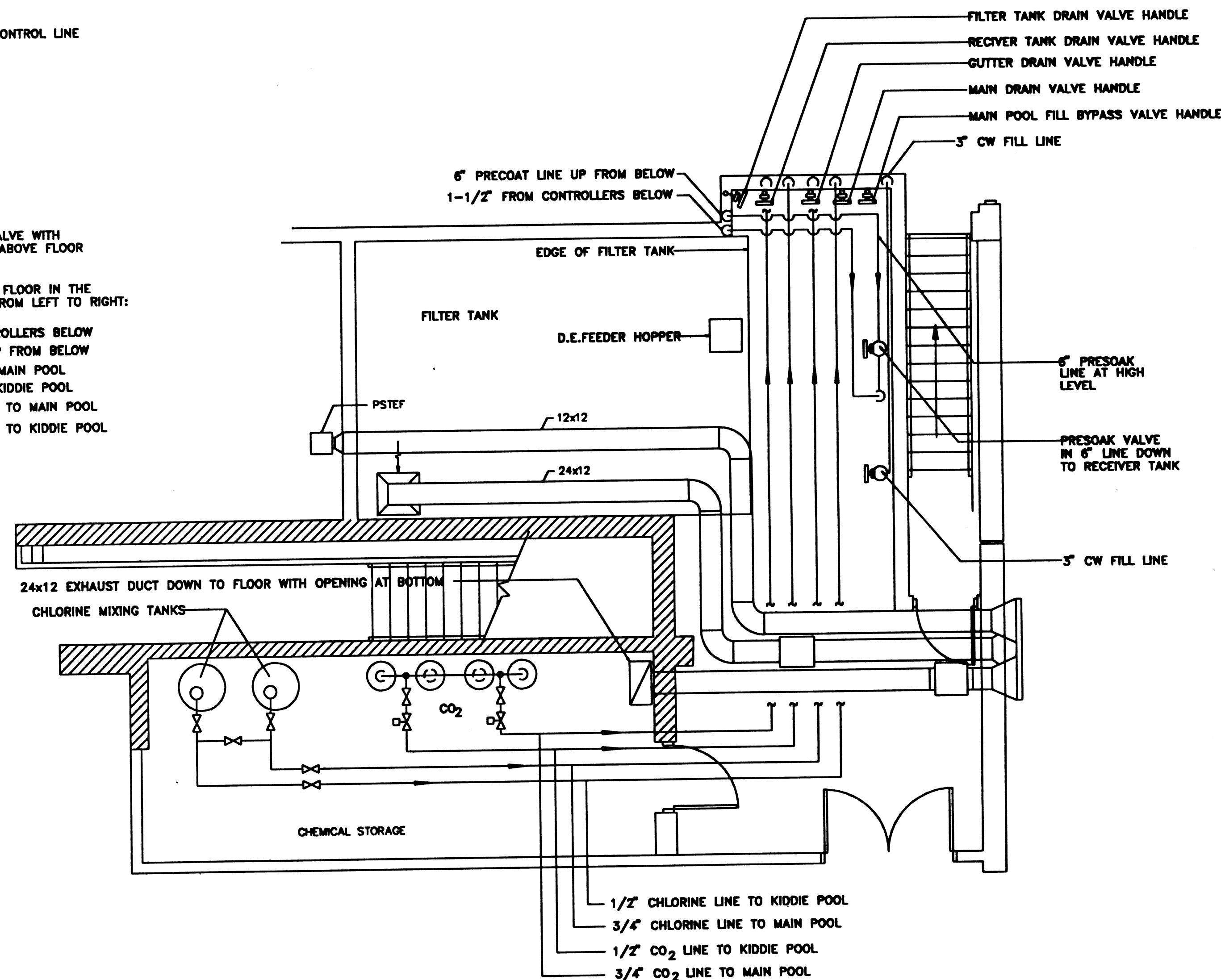
2
M7



3
M7



4
M7 MAIN FLOOR CHEMICAL ROOM AND SURGE TANK ROOM
SCALE 1/4" = 1'-0"



SWIM MANITOBA
PAN AM POOL ADDITION

SEG ENGINEERING INC.
200 BAYVIEW AVENUE
SCARBOROUGH, ONTARIO M1W 2Y5
(416) 291-9115

FARACI ENGINEERING LTD.
200 FINE STREET WILLOWDALE, ONTARIO, CANADA M2H 1B9

JOB #	8301
DATE	JULY 23 1983
DRAWN BY	M.L.
CHD BY	E.J.F.

SHEET TITLE	POOL SYSTEM DETAILS
SCALE	1/4" = 1'-0"
CAD FILE	DLB787
SHT No.	M-7.1

AS BUILT

MECH.